

# LINEAR MANIPULATOR EXTRA



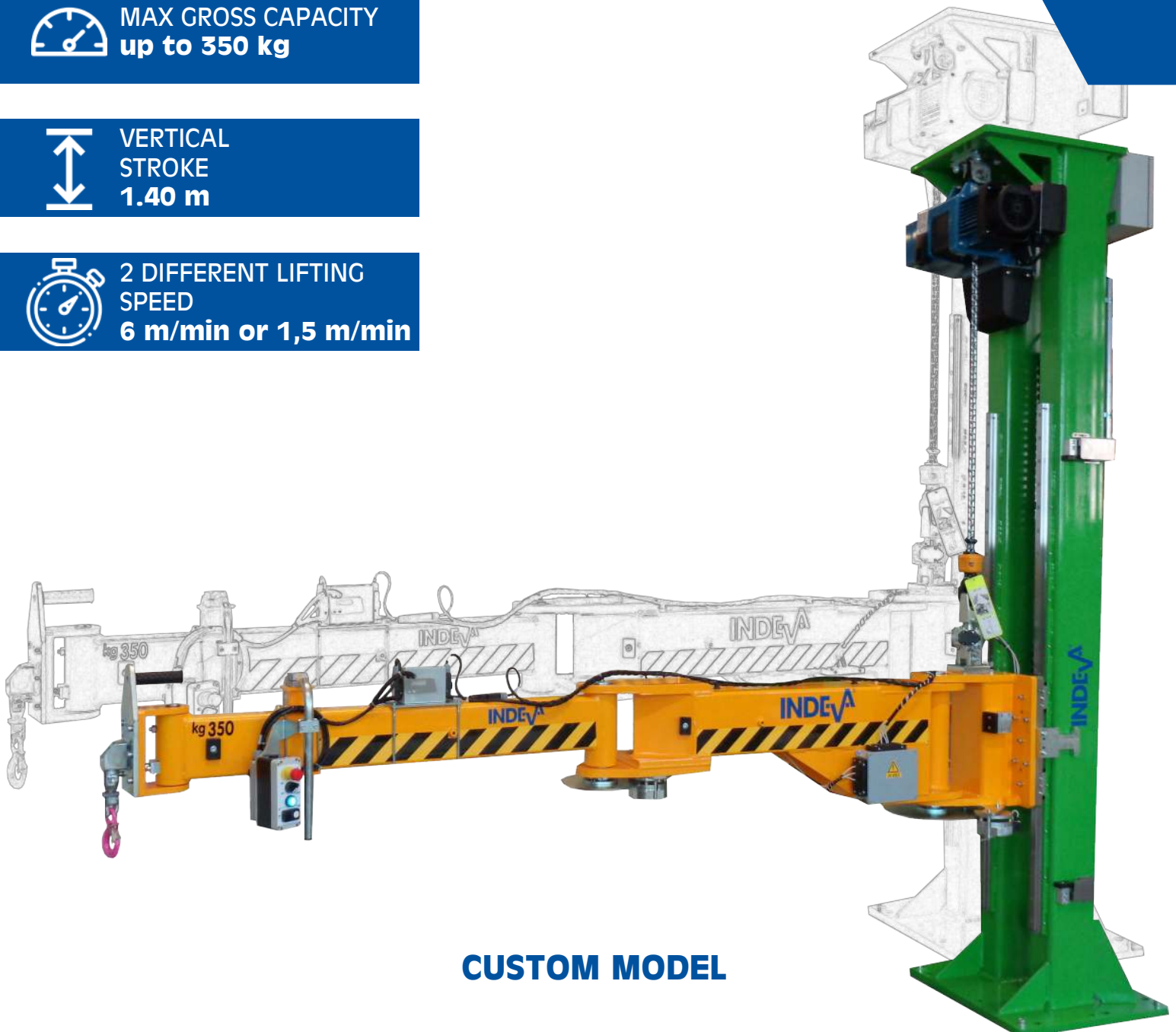
MAX GROSS CAPACITY  
up to 350 kg



VERTICAL  
STROKE  
1.40 m



2 DIFFERENT LIFTING  
SPEED  
6 m/min or 1,5 m/min



**CUSTOM MODEL**

# CHALLENGE

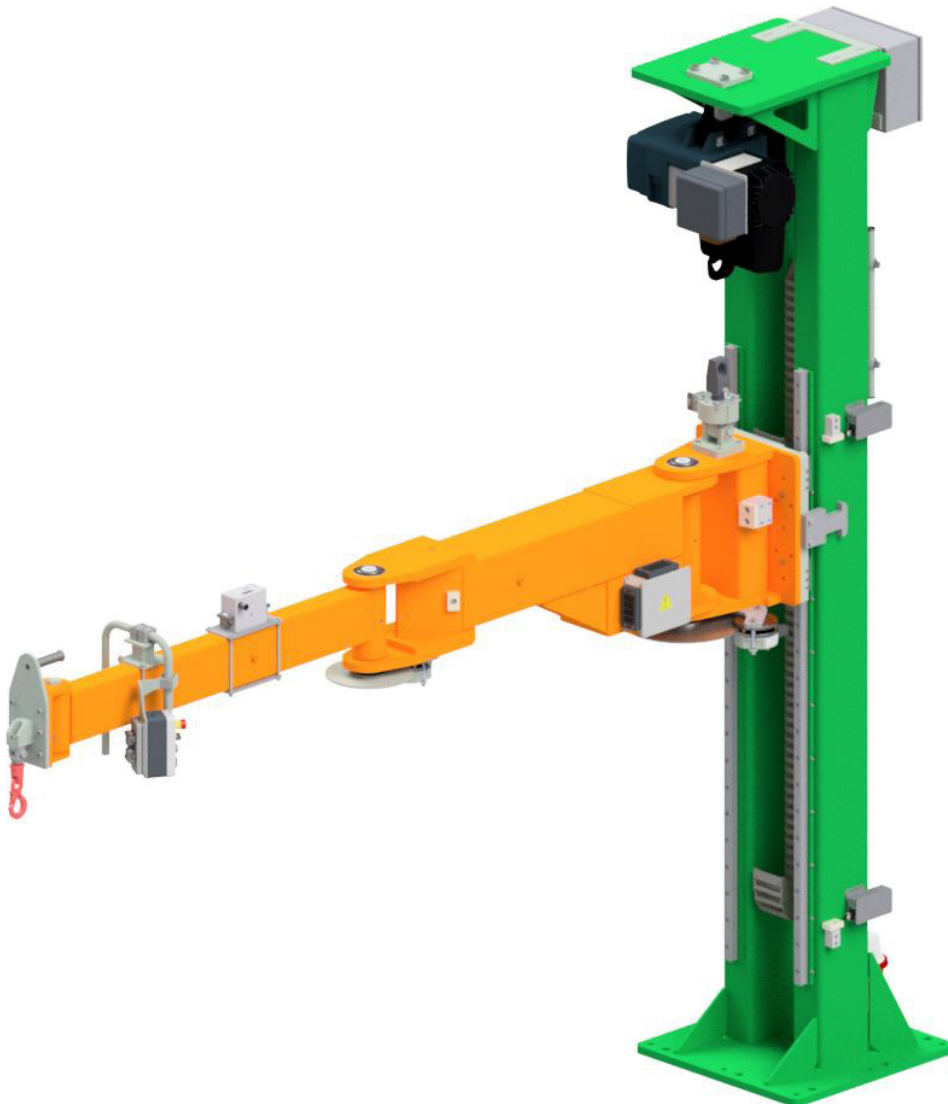
---

A **Company needed to move tractor wheels** weighing 250 kg using a gripping tool that weighs 100 kg. The operators have to pick the wheels from a trolley and fixed them unto the tractor. The spot where the wheel has to be mounted is not reachable from above, due to the presence of the tractor frame, therefore the lift assist device had to feature a rigid arm. A pneumatic manipulator or a Liftronic® Air was not suitable because compressed air is not available.

# SOLUTION

---

An **INDEVA® linear manipulator structure extra version**, equipped with electric hoist and push-button control panel. The system was supplied with standard hook unto which customer applied their gripper.



# ADVANTAGES

---

- Higher load capacity thanks to the application of the hoist (up to 350 kg);
- Solution suitable for workplaces where it is not possible to have compressed air connection;
- Designed for handling offset loads in areas with low ceiling or overhead restrictions;
- Up-down push buttons giving controlled movement: you can move the load very quick 6m/min or very slow 1,5 m/min.



# POTENTIAL APPLICATIONS

---

- Pick & Place
- Handling offset loads

