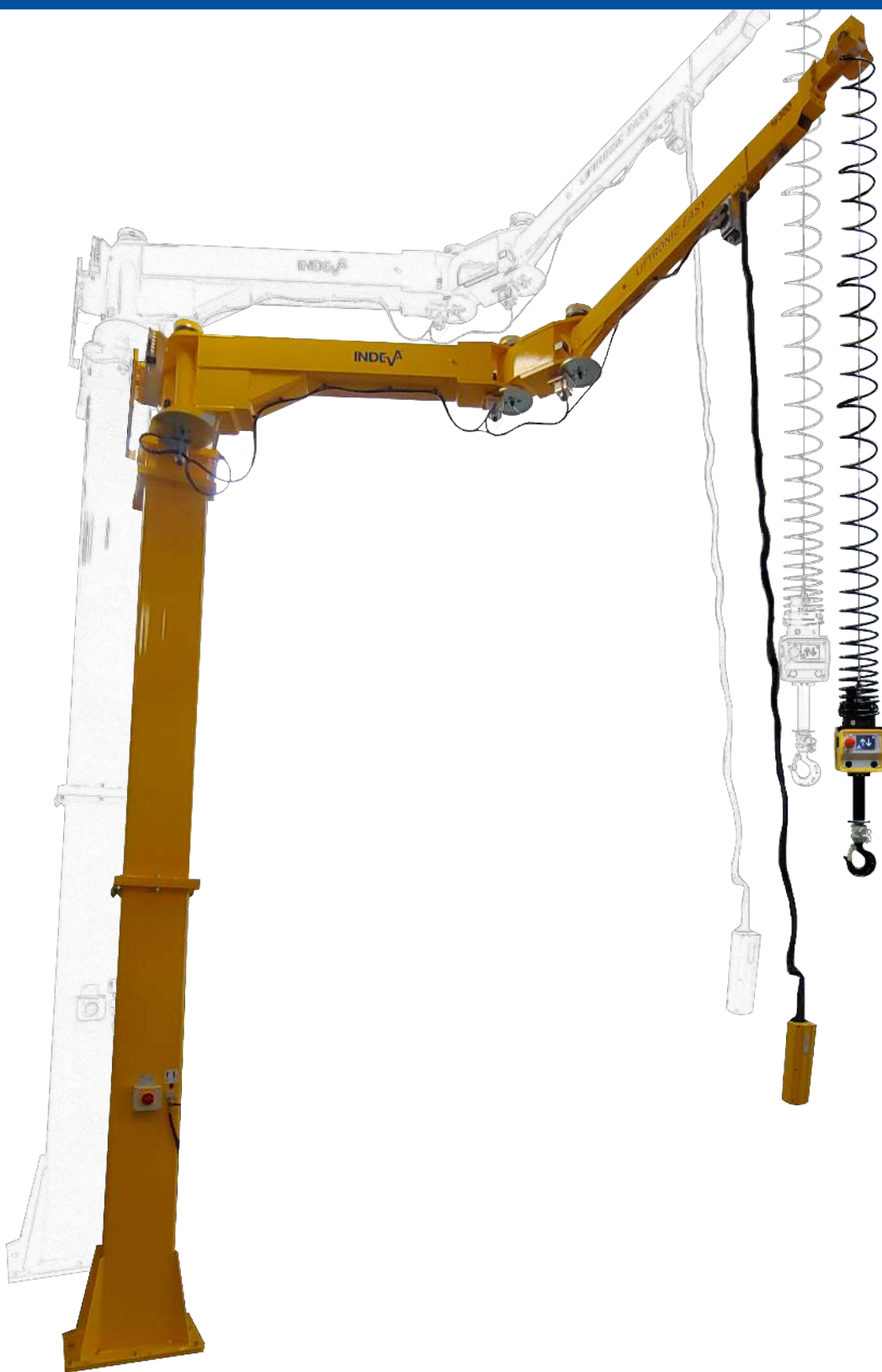


JUMBO LIFTRONIC EASY



MAX GROSS
CAPACITY
300 kg



VERTICAL
STROKE
up to 3,70 m



COLUMN HEIGHT
5 m



ARM LENGTH
4,2 m



MAX LIFTING
SPEED
18 m/min



CUSTOM MODEL

CHALLENGE

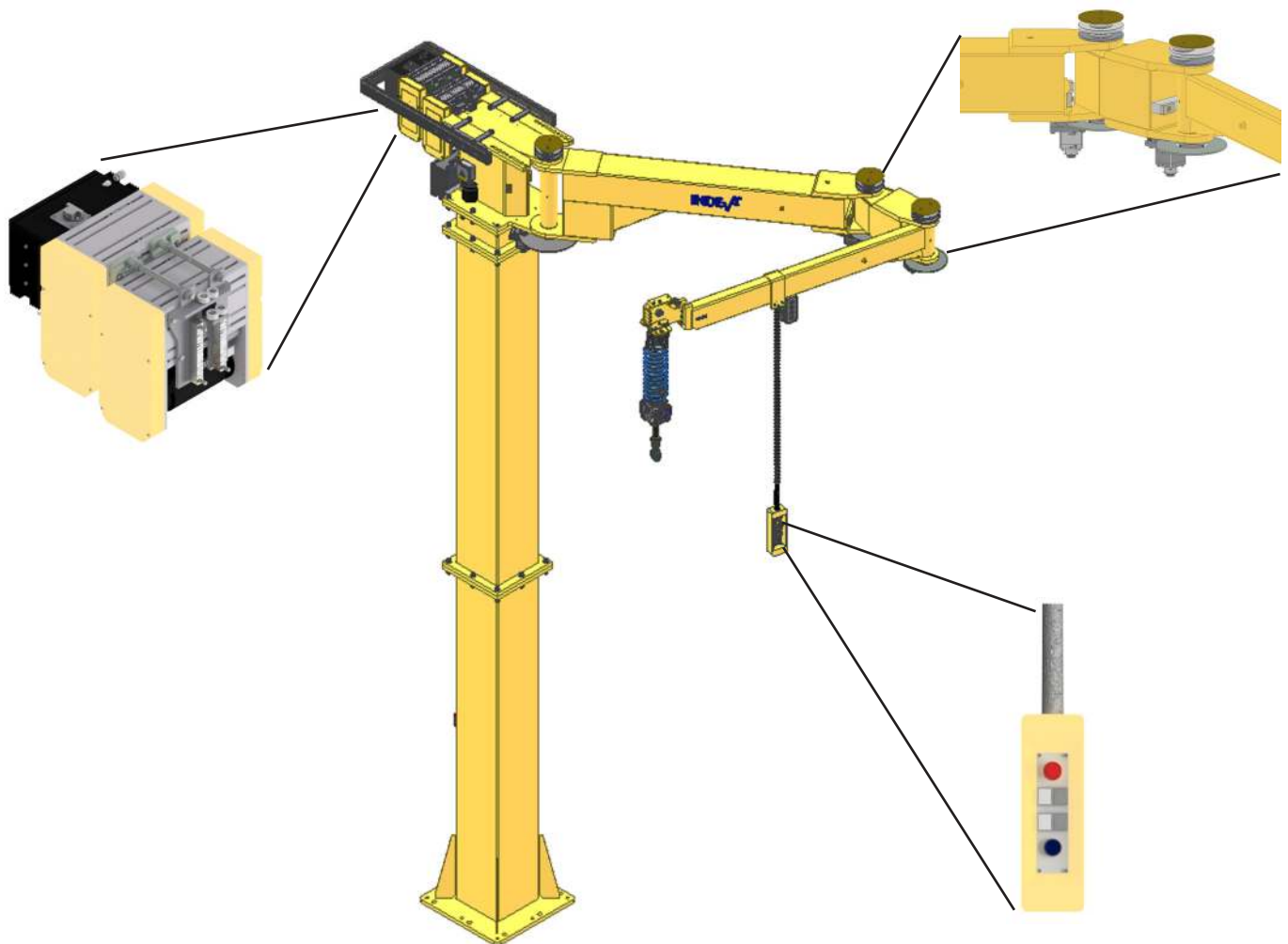
A Company needed a solution in their aircraft engine assembly line, for reaching parts at a 3700 mm height and moving them within a 4.2 meters reach. They also needed to precisely place the finished engine in a restricted area.

SOLUTION

Scaglia INDEVA supplied a custom solution that met all the above mentioned requirements: a column mounted Liftronic® Easy, 5 meters high with a 3 joint arm, 4,2 meter long.

It features:

3.70 m. stroke; float mode; pneumatic brakes on the arm joints; motor brake; pendant with UP/DOWN, speed, and brakes control buttons.



ADVANTAGES

- All the advantages of a Liftronic® Series manipulator available for handling loads up to about 4 meters height with 3,7 m stroke;
- The 3 joint Arm provides increased coverage within the radius of the arm and offers the operator smooth, controllable movement across the full radius with the added benefit of quick sideways movement using the forearm only;
- Possibility of use at different speeds and modes according to the different assembly phases: standard "float mode" for precise load placing in a restricted area, standard sensitive handle; optional pendant control unit for 2 different fixed speeds (very slow or fast) e sensitive handle;

